

PRODUCT INTRODUCTION

The Bianco NXT Summit Series Drive Controller Kits are an all-in-one solution designed to achieve advanced control, enhanced protection and optimal energy efficiency with the Bianco NXT range of Variable Frequency Drives.

Featuring the latest touch-screen technology and an intuitive user-friendly menu, these kits provide easy access to all the information you need.

SUMMIT SERIES VMS solutions are designed for performance, reliability and ease of use.



Image illustrative only



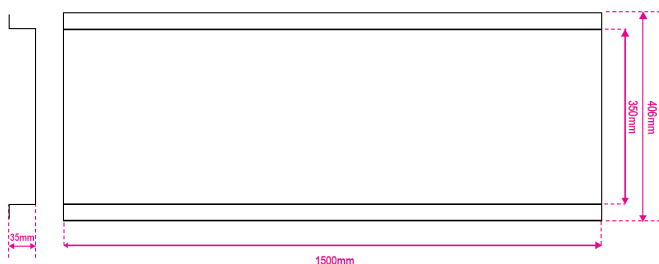
INCLUDES

- Galvanised triple-pump base
- 3 x VMS Pumps
- 3 x NXT Drives (Variable Frequency Drive)
- 4-20mA/10bar Pressure Transducer
- Stainless Steel Counter Flanges
- Gaskets to suit Counter Flanges
- Watermarked Spring Check Valve
- Manifold (304 Stainless Steel)
- 30bar Liquid-filled Pressure Gauge
- Outlet-side SS Isolation Valve
- BPT-18 10bar-rated Pressure Tank with 304 SS 25mm isolating valve

PUMP TECHNICAL DATA

RATED FLOW [M3/H]	8 m ³ /hr per pump
MAX. FLOW – PUMP SET	36 m ³ /hr
MAX. HEAD – PUMP SET	42 m
WORKING AIR TEMP	0°C – 40°C
LIQUID TEMPERATURE	-15°C – 120°C
HIGHEST EFFICIENCY	63.6%
MAXIMUM PUMP PRESSURE	33 bar
NET WEIGHT (KG)	38.6 kg

RATED VOLTAGE/CURRENT	3ph 230V +10% -6% 5.6A
MOTOR POWER (KW)	1.5kW 2-pole
MOTOR IP RATING	IP55
MOTOR INSULATION	Class F
MOTOR EFFICIENCY STD	I.E.3
MOTOR EFFICIENCY	84.2%
COS Ø	0.84
MECHANICAL SEAL	SVH-L-16
PUMP FLANGE SIZE	DN40
MANIFOLD OUTLET SIZE	Dual 65mm / DN65 Flange



Base 1500 x 406mm x 35mm high

BIA-DRIVE1-22



Single Phase 230VAC IN / Three Phase 230VAC OUT

TECHNICAL DATA

INPUT VOLTAGE	1ph 220VAC ±15%
INPUT FREQUENCY	50/60Hz 5% fluctuations
OUTPUT VOLTAGE	3ph 230VAC
OUTPUT FREQUENCY	0 – 200Hz
OUTPUT RATING	10A / Nominal 2.2kW
SPEED HOLDING PRECISION	±1%
INGRESS PROTECTION	IP54
OPERATING TEMPERATURE	-10°C to +40°C

PRODUCT DETAILS

The NXT DRIVE Series are a range of pump-specific Variable Frequency Drives designed for the Australasian market with both the end-user and the technician in mind.

Featuring a full-colour, touch-screen interface for clear, concise system information, fault codes and protection notices, with a handy setup wizard so you're always in control. NXT DRIVE is both simple to set up and use.

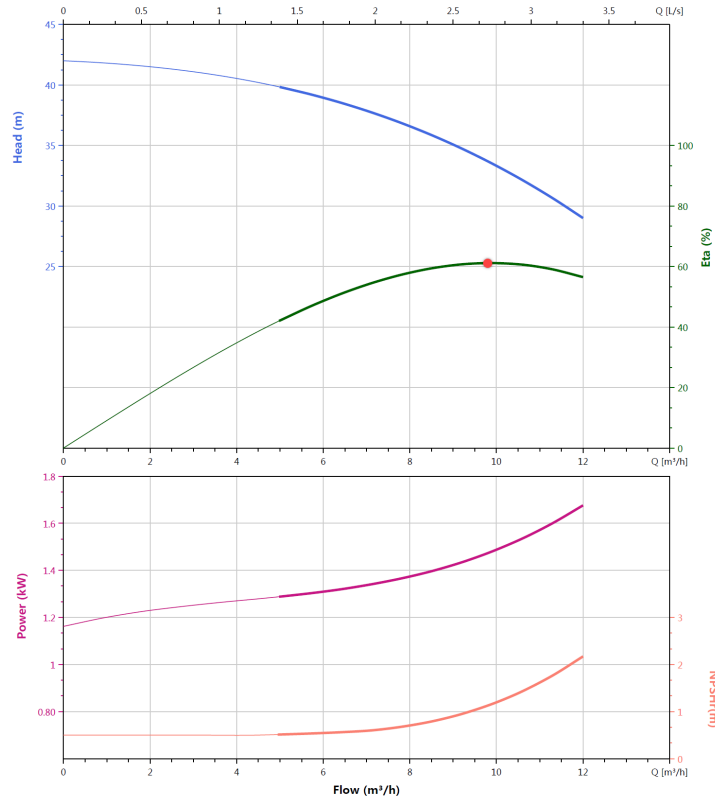
Perfect for achieving constant pressure management of a single pump with advanced control, enhanced protection and optimal energy efficiency.

FEATURES

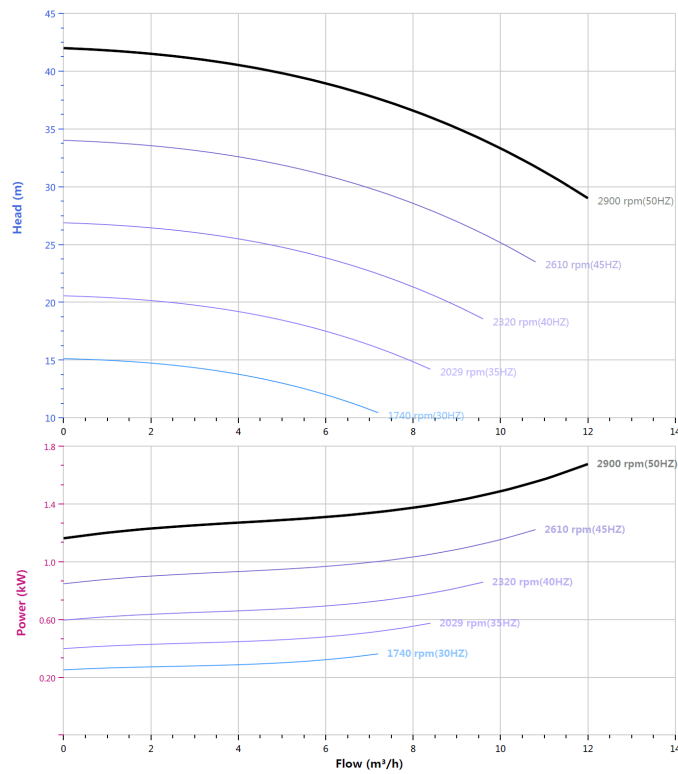
- Control and protect pumps up to 2.2kW (10 Amps)
- Variable frequency control to achieve constant pressure control
- Minimise wasted energy and reduce the need for large pressure tanks
- 'Soft-start' with low motor start current
- Flow, pressure and current protections
- RS485 comms
- 25 plain-language fault messages
- Provides protection from dry run, high and low voltage, input and output short circuits, high and low water pressure, input and output phase failure, high temperature and sensor faults
- 24V, 10V and 5V supply circuits
- Digital and analogue (voltage or current) inputs
- Relay and analogue outputs
- Multi-functional terminals



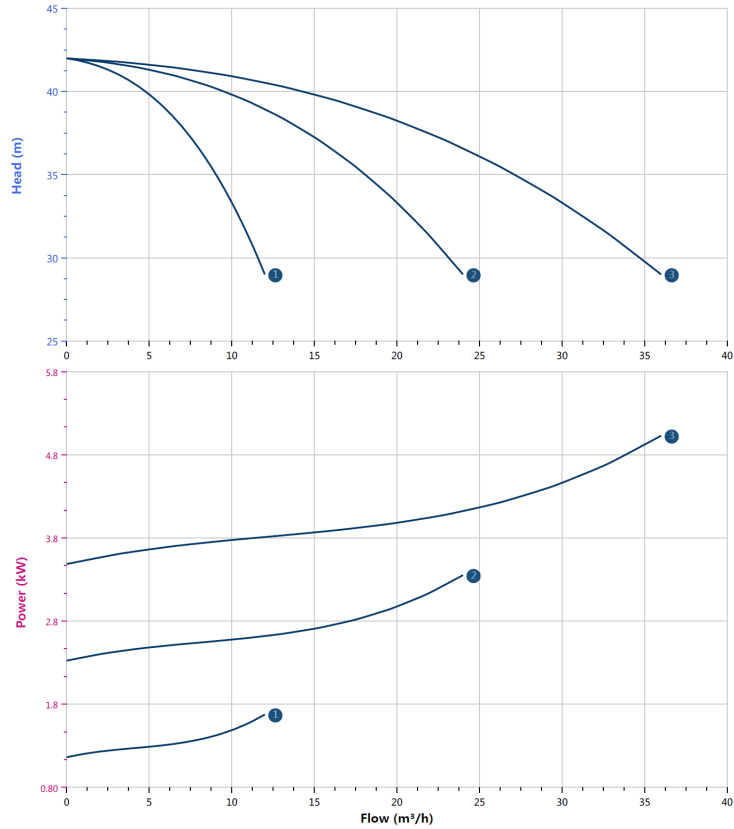
SINGLE PUMP HYDRAULIC CURVE



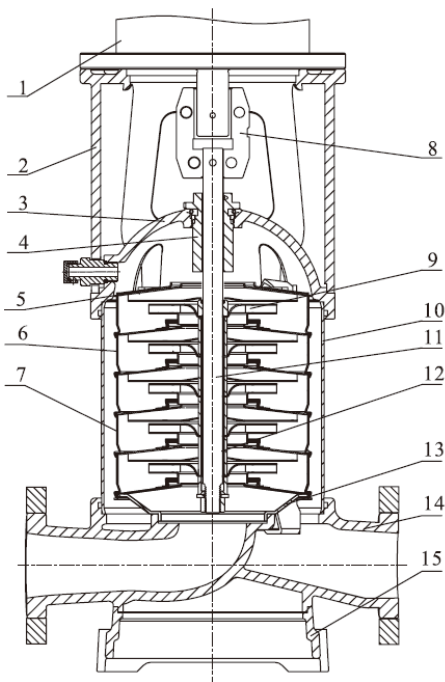
VFD CURVE



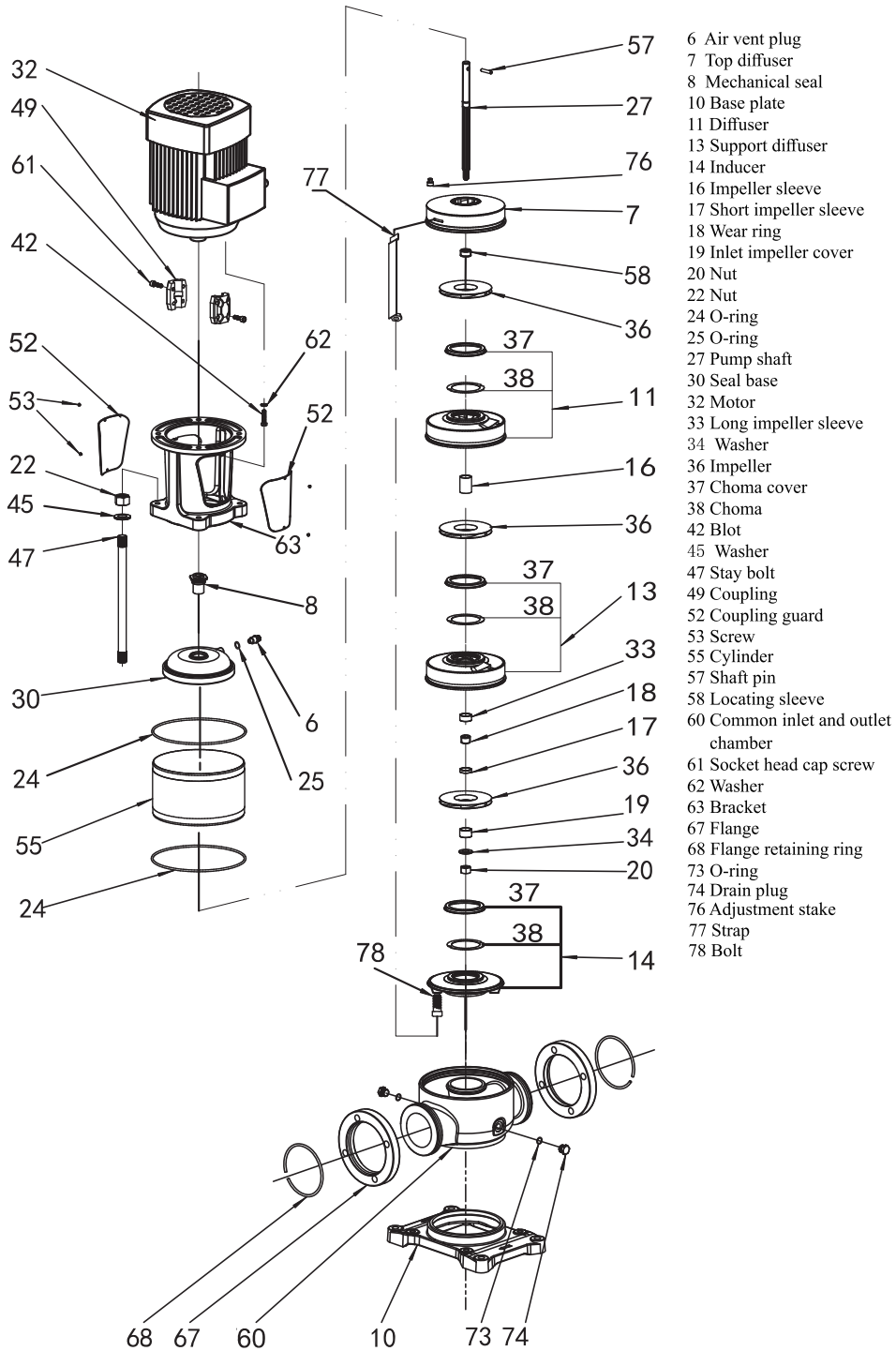
TRIPLE PUMP HYDRAULIC CURVE



CUTAWAY



1	Motor	/
2	Bracket	Ductile Cast Iron
3	Seal Base	Stainless / Ductile Cast Iron
4	Mechanical Seal	SVH-L-16
5	Top Diffuser	Stainless Steel
6	Diffuser	Stainless Steel
7	Support Diffuser	Stainless Steel
8	Coupling	Stainless Steel
9	Impeller	Stainless Steel
10	Cylinder	Stainless Steel
11	Shaft	Stainless Steel
12	Intermediate Bearing	SiC / WC
13	Inducer	Stainless Steel
14	Inlet/Outlet Chamber	Stainless Steel / Ductile Cast Iron
15	Base	Ductile Cast Iron



WARRANTY / CERTIFICATIONS

